

Montana Department of Transportation Bridge Bureau Approved Construction Equipment List

Make:	<i>Caterpillar</i>
Model:	<i>AP1055E with AS3301 Screed and Empty Hopper</i>
Equipment Type:	<i>Asphalt Paver</i>
Contractor Modifications:	<i>None</i>

Interstate Approval Conditions

<i>Approval Type</i>	<i>Crossing Only</i>
<i>Speed:</i>	<i>No Restriction</i>
<i>Weight:</i>	<i>44,776 lb or less</i>
<i>Traffic:</i>	<i>Approved with regular traffic</i>
<i>Location Restrictions:</i>	<i>No restriction</i>

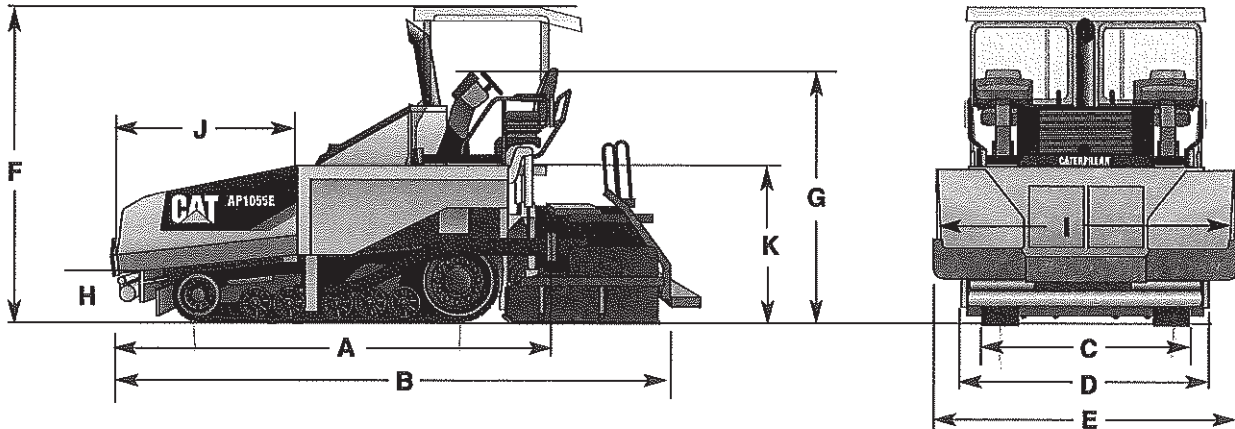
Non-Interstate Approval Conditions

<i>Approval Type</i>	<i>Crossing Only</i>
<i>Speed:</i>	<i>No Restriction</i>
<i>Weight:</i>	<i>44,776 lb or less</i>
<i>Traffic:</i>	<i>Approved with regular traffic</i>
<i>Location Restrictions:</i>	<i>No restriction</i>

Comments:

Equipment configuration, weights, and specifications on following pages. Approval does not apply to load posted bridges. Other construction equipment is not allowed to operate on or cross bridge at the same time this equipment is on the bridge.

AP1055E Paver Specifications



Dimensions

A Tractor length w/push roller	4.95 m (16' 3")
B Length with push roller and AS2302C screed w/walkway up	5.46 m (17' 11")
Length with push roller and AS2302C screed w/walkway down	5.80 m (19')
Length with push roller and AS3301C screed	6.61 m (21' 7")
Length with push roller and AS4251C screed	6.52 m (21' 4")
Length with push roller and AS4252C screed	6.63 m (21' 8")
C Track gauge width (outside to outside)	2.72 m (8' 11")
D Transport width with screed end gates (hopper raised)	3.24 m (10' 8")
Transport width without screed end gates (hopper raised)	3.00 m (9' 10")
E Tractor operating width (hopper lowered)	3.60 m (11' 10")
F Operating height	3.73 m (12' 3")
G Transport height with fumes stack and seat lowered	2.87 m (9' 5")
H Truck entry height (apron)	581 mm (23")
I Truck entry width	3.52 m (11' 7")
J Hopper length	2.10 m (6' 11")
K Deck Height	1.79 m (5' 11")

Weights

AP1055E (Tractor only)	16 810 kg (36,982 lb)
w/AS2302C	19 894 kg (43,859 lb)
w/AS3301C	20 076 kg (44,260 lb)
w/AS3301C w/C6.6 engine	20 310 kg (44,776 lb)
w/AS4251C	21 158 kg (46,645 lb)
w/AS4251C w/C6.6 engine	21 392 kg (47,161 lb)
w/AS4252C	20 211 kg (44,558 lb)
w/AS4252C w/C6.6 engine	20 445 kg (45,074 lb)

Paving Range

w/AS2302C	3.05 m - 6.70 m (10' - 22')
w/AS3301C	3.05 m - 7.38 m (10' - 24' 2")
w/AS4251C	3.05 m - 8.00 m (10' - 26' 4")
w/AS4252C	3.05 m - 8.00 m (10' - 26' 4")
Max Paving Depth	305 mm (12")

Powertrain

Cat C7.1 or C6.6 ACERT Engines	168 kW (225 hp)
Speeds:	
Paving	61 mpm (200 fpm)
w/tamper bar screed	25 mpm (82 fpm)
Travel	14.5 km/hr (9 mph)

Miscellaneous

Fuel Tank Capacity	348 L (92 gal)
Hopper Capacity*	7.1 m ³ (251 ft ³)
Electrical System	24 V, 105A alternator
Generator Size	25 kW or 35 kW

* Includes tunnels